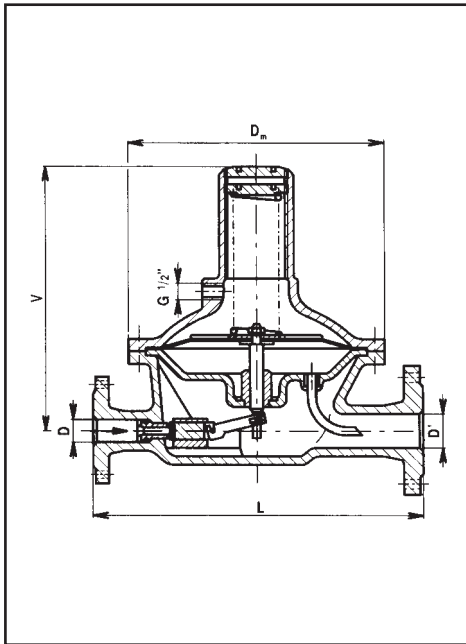


PRESSURE REGULATOR - DIRECT ACTING



USE

This gas pressure regulator is a direct action regulator that reduces the pressure of supplied gas, and controls the preset outlet gas pressure within the toleration field. The regulator is suitable for natural gas and all noncorrosive gaseous media. Required gas filtration: 5 µm.

PRESSURE RANGES

Overpressure [MPa]		
Inlet pressure		Outlet pressure
Min.	Max.	
0,05	3,0	2,0

PRECISION CATEGORIES

ACCURACY CLASS	CLOSING PRESSURE CLASS
AC 15	SG 30 ÷ 60

TYP / DN / PN / TEMPERATURE RANGE

C26 117 540 DN 25 PN 40 -10 °C to 70 °C.

MATERIAL

	C26 117 540
Regulator body	1.0619 N
Diaphragm cover (upper)	ALUMINIUM ALLOY
Diaphragm cover (under)	GREY CAST IRON
Guide bush, bar, seats, cone	STAINLESS STEEL
Lever	CARBON STEEL
Sealing ring	NITRIL RUBBER
Diaphragm	NITRIL RUBBER REINFORCED WITH CLOTH

CONNECTION

Connecting dimensions of inlet flanges PN 40, and outlet PN 16 at the outlet comply with DIN.

DIMENSION TABLE

DN	DN'	D	D'	D _m	L	V	kg
25	40	25	40	290	365	305	23,0

Note: The dimensions of connecting flanges - see pages 43, 44.