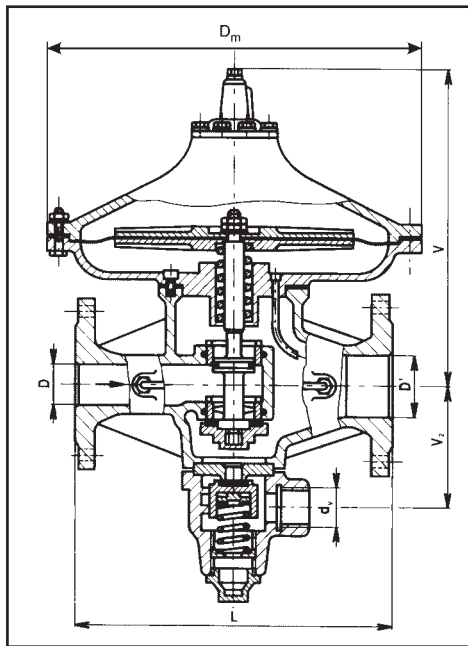


PRESSURE REGULATOR WITH A PILOT VALVE



USE

This gas pressure regulator is a non-direct acting regulator that reduces the pressure of supplied gas, and controls the preset outlet gas pressure within the toleration field. The regulator is suitable for natural gas and all noncorrosive gaseous media. Required gas filtration: 5 µm.

PRESSURE RANGES

PN	Overpressure [MPa]				Minimum difference
	Inlet pressure		Outlet pressure		
	Min.	Max.	Min.	Max.	
16	0,005	1,0	0,0006	0,05	0,003
25	0,005	2,0	0,001	0,1	0,003

PRECISION CATEGORIES

Accuracy class	Closing pressure class
AC 5	SG 20 for p_a max 0,005 MPa
	SG 10 for p_a 0,005 max 0,05 MPa

TYPES / DN / PN / TEMPERATURE RANGES

C26 535 516 DN 25, 50, 80, 100, 150,200 PN 16 -10 °C to 70 °C
C26 535 525 DN 25 PN 25 -10 °C to 70 °C

MATERIAL

	C26 535 516, 525
Valve body	1.0619 N
Diaphragm cover, diaphragm disc	ALUMINIUM ALLOY
Piston, valve cone, seats	STAINLESS STEEL
Sealing rings	NITRIL RUBBER
Diaphragm	NITRIL RUBBER REINFORCED WITH CLOTH

NOTE

.02 - Narrowed valve seat with decreased capacity in DN 25 regulators.
.03 - Regulators without a safety pilot valve (DN 25, 50, 80, 100, 150, 200)
.07 - Regulators for propane-butane DN25, PN 25
Take into account comments of the instalation of gas pressure regulators (page 4).

CONNECTION

Connecting dimension of flanges comply with DIN. Inlet PN 16 or PN 25, outlet PN 2,5.

DIMENSION TABLE

DN	DN'	D	D'	d_v	L	V	V_2	D_m	kg
C26 535 516									
25	40	25	40	G1/2	230	290	85	235	11,0
50	80	50	80	G1	350	420	180	480	44,0
80	125	80	125	G1	530	510	236	698	114,0
100	150	100	150	G1 1/2	630	540	274	798	160,0
150	200	150	200	G2	700	590	367	798	220,0
200	250	200	250	G2	800	700	402	900	345,0
C26 535 525									
25	40	25	40	G1/2	230	290	85	235	11,5

Note: The dimensions of connecting flanges - see pages 43, 44.