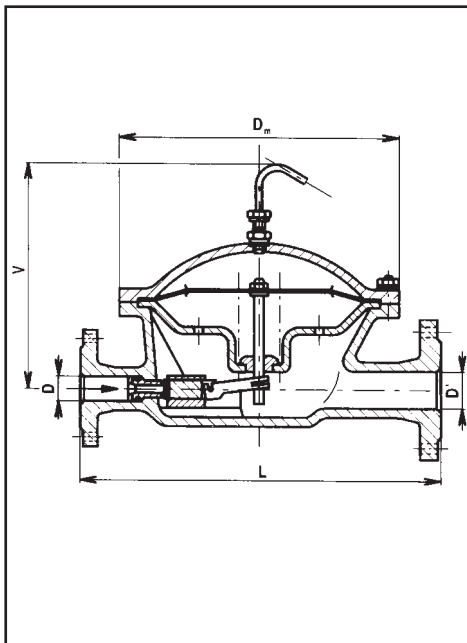


**PRESSURE REGULATOR WITH A PILOT VALVE****USE**

This gas pressure regulator is a self-acting regulator that reduces the pressure of supplied gas, and controls the preset outlet gas pressure within the toleration field. The regulator is suitable for natural gas and all noncorrosive gaseous media. In case the working fluid is contaminated with solids, it is necessary to filter it to ensure a reliable operation of the regulator. To eliminate freezing, the gas must be preheated, which depends on its dew point and on operating conditions. Required gas filtration: 5  $\mu\text{m}$ .

**PRESSURE RANGES**

Overpressure [MPa]				Minimum difference
Inlet pressure		Outlet pressure		
Min.	Max.	Min.	Max.	
0,05	4,0	0,001	0,05	0,01

**PRECISION CATEGORIES**

Accuracy class	Closing pressure class
AC 5	SG 20 for $p_a$ max 0,005 MPa
	SG 10 for $p_a$ 0,005 max 0,05 MPa

**TYP / DN / PN / TEMPERATURE RANGE**

C26 525 540      DN 25      PN 40      -10 °C to 70 °C

**MATERIAL**

	C26 544 540
<b>Regulator body</b>	1.0619 N
<b>Diaphragm cover (upper)</b>	ALUMINIUM ALLOY
<b>Diaphragm cover (under)</b>	GREY CAST IRON
<b>Guide bush, bar, seats, cone</b>	STAINLESS STEEL
<b>Lever</b>	CARBON STEEL
<b>Sealing ring</b>	NITRIL RUBBER
<b>Diaphragm</b>	NITRIL RUBBER REINFORCED WITH CLOTH

**CONNECTION**

Connecting dimensions of flanges PN 40 at the inlet, and PN 16 at the outlet comply with DIN.

**NOTE**

Take into account comments of the installation of gas pressure regulators (page 5).

**DIMENSION TABLE**

DN	DN'	D	D'	L	V	D <sub>m</sub>	kg
25	40	25	40	365	215	290	27,0

**Note:** The dimensions of connecting flanges - see pages 43, 44.