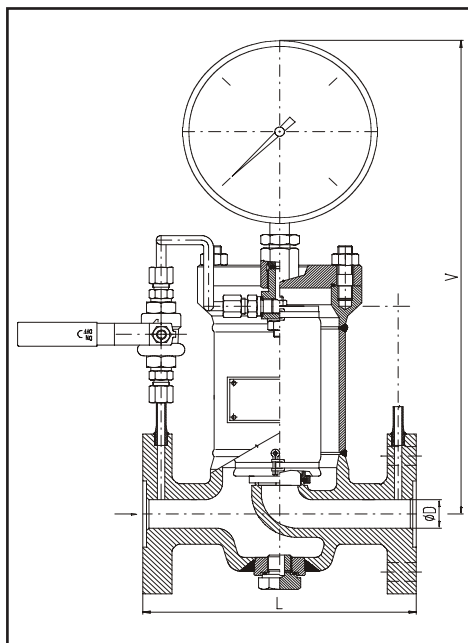
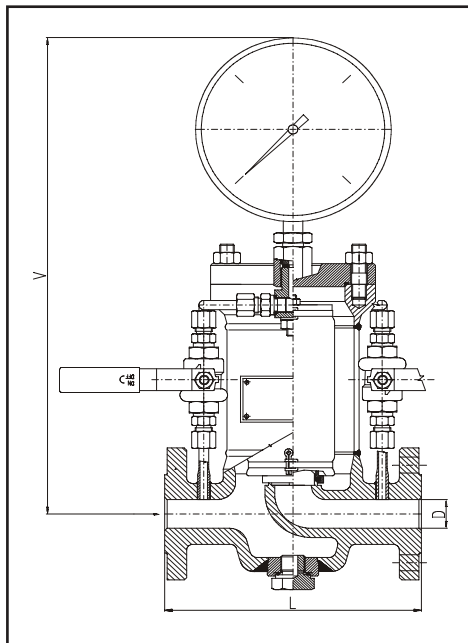


DUST FILTER - LARGE CAPACITY DESIGN



USE

The dust filter is the equipment that serves to trapping of solid particles carried away. The filter is suitable for natural gas and all noncorrosive gaseous media. The maximum rate of the working fluid can be 15 m/s. An exchangeable filter cartridge is capable of trapping impurities with dimensions over 0,050 mm.

TYPES / DN / PN / TEMPERATURE RANGES

C26 641 540	DN 25	PN 40	-10 to 80 °C
C26 641 563	DN 25	PN 63	-10 to 80 °C

INSTALLATION

The filter is mounted only into a horizontal piping with a drain plug downwards. An entry of the gaseous working fluid into the filter is designated by an arrow. Connecting dimensions of flanges are according to the standard DIN.

MATERIAL

	C26 641 540, 563	
	DIN	ČSN
Valve shell	St 45.8	12 022
Valve body	1.0619 N	42 2643.1
Shell flange	H II	11 416
Valve cover	St 52-3	11 523
Filter fabric	PES	
Sealing	NITRIL RUBBER	

DIMENSION TABLE

PN	DN	L	V	kg
40	25	210	415	15,0
63	25	225	415	20,0

Note: The dimensions of connecting flanges - see pages 43, 44.